

Dual Transducer Imaging Sonar Head



P/N 975-21030000

KONGSBERG

The 1171 Series of Sonar Heads have been developed to meet the requirements for deep ocean applications. The new sonar heads have reduced size and weight while providing the high level of data quality characteristic for all Kongsberg Mesotech sonars. The dual transducer design allows optimized operational configuration for both long range obstacle avoidance and shorter range imaging detail. The transducer is protected within an oil-filled, pressure compensating dome. The telemetry is RS485 and RS232 compatible and is automatically sensed and configured at start up to match the telemetry link used. The sonar head operation is configured and controlled using the MS1000 Software Processor.

Operating Frequency:	<i>Transducer 1:</i> 300 kHz to 400 kHz	<i>Transducer 2:</i> 450 kHz to 700kHz
Beam Width (@3dB):	2.7° x 30° Fan (@330kHz)	1.4° x 40° Fan (@675kHz)
Maximum Range:	300 m typical (@330kHz)	100 m typical (@675kHz)
Range Resolution:	≥ 2.0 cm	≥ 0.5 cm
Transmit Pulse Widths:	25µs to 1000µs (auto selected)	5µs to 1000µs (auto selected)
Receive Bandwidth:	50kHz max. (auto selected)	200kHz max. (auto selected)
Range Sample Count:	238, 476, 952, 1904 (Low Resolution, High Resolution, Zoomx1, Zoomx2)	
Sampling Resolution:	≥ 0.5mm (function of range selection)	
Scan Speed:	nom 5 sec/360° @ 10 m and 1.8° step size (@ 460 kbits/sec.) nom 34 sec/360° @ 100 m and 1.8° step size (@ 460 kbits/sec.)	
Scan Angle:	360° continuous	
Step Size:	0.45° - 7.2 user selectable	
Telemetry :	RS485 or RS232 asynchronous serial data	
Telemetry configurations:	Legacy mode	<i>Downlink:</i> 9600 bps fixed <i>Uplink :</i> 9600 bps to 460 kbps (auto set to highest rate allowed by the quality of the telemetry link)
	Fixed	<i>Downlink:</i> 9600 bps to 460 kbps (user selected for compatibility with other serial communication equipment) <i>Uplink:</i> same speed as downlink
	Optimized	<i>Downlink:</i> 9600 bps to 460 kbps (auto set to highest rate allowed by the quality of the telemetry link) <i>Uplink:</i> same speed as downlink
Power Requirement:	22-26 VDC @ ≤ 0.8A	
Temperature Range:	-10 to +40°C operating -30 to +40°C storage	
Operating Depth:	4000 m max.	
Connector:	Seacon RMG-4-BCL; optional connectors based on customer request	
Materials:	Alum 6061-T6, 300 Series S.S., Urethane	
Finish:	Anodize, Black/Gold MIL-A-8625 type II	
Dimensions:	Diameter:	5.1in/130mm
	Length:	11.5in/292mm (excluding connector)
Weight	In Air:	9.0lb/4.1kg
	In Seawater:	3.9lb/1.8kg
Options:	-7801 Built-in Security Key	

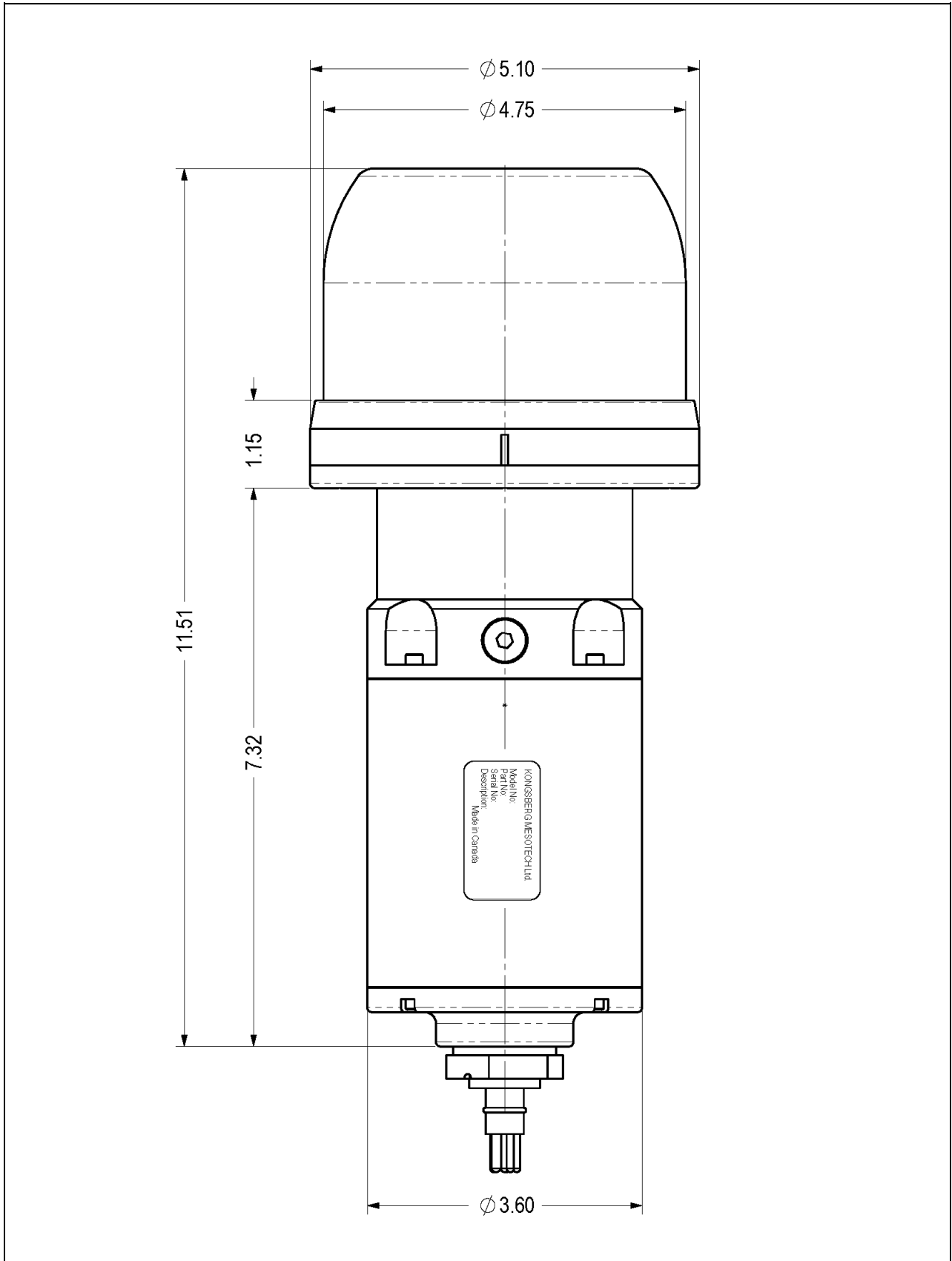
Specifications subject to change without notice

P/N 975-21037901 Iss 1.3

KONGSBERG MESOTECH LTD. 1598 Kebet Way, Port Coquitlam B.C. Canada V3C 5M5

Tel: (604) 464 8144 Fax: (604) 941 5423

P/N 975-21030000



Specifications subject to change without notice

P/N 975-21037901 Iss 1.3

KONIGSBERG MESOTECH LTD. 1598 Kebet Way, Port Coquitlam B.C. Canada V3C 5M5

Tel: (604) 464 8144 Fax: (604) 941 5423